

Inductor hipnótico

Dec. 26, 1961

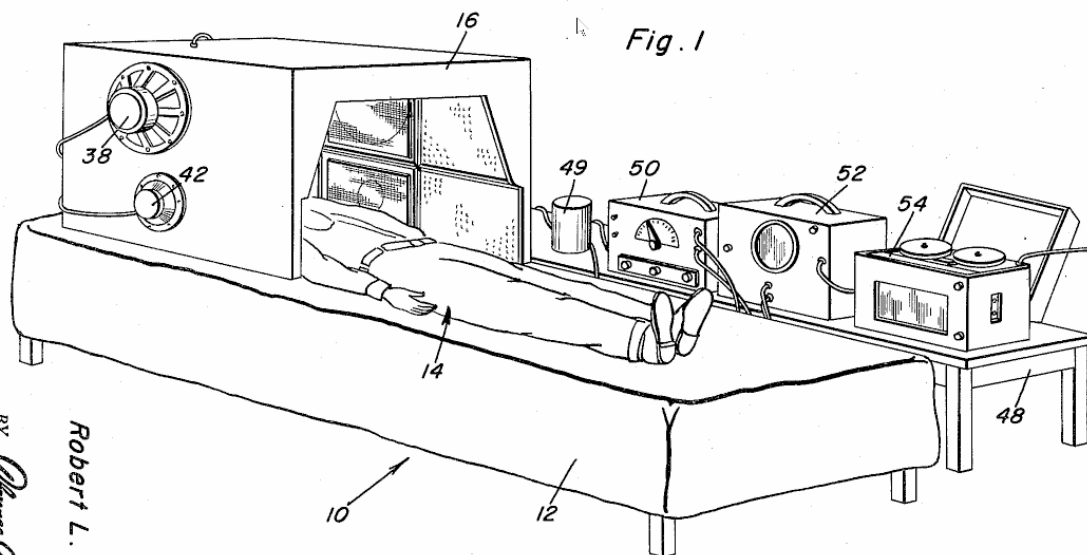
Filed Aug. 16, 1956

R. L. CARLIN

HYPNOTIC INDUCER

3,014,477

2 Sheets-Sheet 1



BY *James O'Brien*
and Harvey B. Jackson
 Attorneys

Robert L. Carlin
 INVENTOR.

From:

<https://wiki.cibertortura.eu/> - Cibertortura Wiki

Permanent link:

<https://wiki.cibertortura.eu/doku.php?id=patentes:us3014477:start>

Last update: 2026/02/15 20:37

